

# Clarke®



**MULTI FUNCTION TOOL WITH QUICK RELEASE**

**MODEL NO: CMFT300QR**

PART NO: 6462201

## OPERATION & MAINTENANCE INSTRUCTIONS

UK  
CA | CE



ORIGINAL INSTRUCTIONS

DL0123 - ISS 4

---

## INTRODUCTION

---

Thank you for selecting this Clarke Multi Function Tool with quick release.

Read this manual before use, the warnings and cautions in this manual will help you operate the Multi Function Tool with quick release safely.

---

## GUARANTEE

---

The Multi Function Tool is guaranteed against faulty manufacture for a period of 12 months from the date of purchase. Your receipt is required as proof of purchase.

This guarantee is invalid if the Multi Function Tool has been abused, tampered with, or not used for the function for which it was intended.

Defective goods must be returned to their place of purchase. The Multi Function Tool must not be returned to Clarke international without prior permission.

This guarantee does not effect your statutory rights.

---

## ENVIRONMENTAL PROTECTION

---



Through purchase of this Multi Function Tool, the customer is taking on the obligation to deal with the WEEE in accordance with the WEEE regulations in relation to the treatment, recycling & recovery and environmentally sound disposal of the WEEE.

In effect, this means that this Multi Function Tool must not be discarded with general waste. Refer to the laws governing Waste Electrical and Electronic Equipment (WEEE) at a recognised disposal facility.

---

# SAFETY PRECAUTIONS

---



**WARNING: READ ALL INSTRUCTIONS. FAILURE TO FOLLOW ALL INSTRUCTIONS LISTED BELOW MAY RESULT IN ELECTRIC SHOCK, FIRE AND/OR SERIOUS INJURY. THE TERM "POWER TOOL" IN ALL WARNINGS LISTED BELOW REFERS TO YOUR MULTI FUNCTION TOOL WITH QUICK RELEASE AND CHARGER.**

---

## 1) WORK AREA SAFETY

- a. **Keep work area clean and well lit.** *Cluttered or dark areas invite accidents.*
- b. **Do not operate power tools in explosive atmospheres, such as in the presence of flammable liquids, gases or dust.** *Power tools create sparks which may ignite the dust or fumes.*
- c. **Keep children and bystanders away while operating a power tool.** *Distractions can cause you to lose control.*

## 2) ELECTRICAL SAFETY

- a. **Power tool plugs must match the outlet. Never modify the plug in any way. Do not use any adapter plugs with earthed (grounded) power tools.** *Unmodified plugs and matching outlets will reduce risk of electric shock.*
- b. **Avoid body contact with earthed or grounded surfaces, such as pipes, radiators, ranges and refrigerators.** *There is an increased risk of electric shock if your body is earthed or grounded.*
- c. **Do not expose power tools to rain or wet conditions.** *Water entering a power tool will increase the risk of electric shock.*
- d. **Do not abuse the cord. Never use the cord for carrying, pulling or unplugging the power tool. Keep cord away from heat, oil, sharp edges or moving parts.** *Damaged or entangled cords increase the risk of electric shock.*
- e. **When operating a power tool outdoors, use an extension cord suitable for outdoor use.** *Use of a cord suitable for outdoor use reduces the risk of electric shock.*
- f. **If operating a power tool in a damp location is unavoidable, use a residual current device (RCD) protected supply.** *Use of an RCD reduces the risk of electric shock.*

## 3) PERSONAL SAFETY

- a. **Stay alert, watch what you are doing and use common sense when operating a power tool. Do not use a power tool while you are tired or**

**under the influence of drugs, alcohol or medication.** *A moment of inattention while operating power tools may result in serious personal injury.*

- b. **Use personal protective equipment. Always wear eye protection.** *Protective equipment such as dust mask, non-skid safety shoes, hard hat, or hearing protection used for appropriate conditions will reduce personal injuries.*
- c. **Prevent unintentional starting. Ensure the switch is in the off-position before connecting to power source and/or battery pack, picking up or carrying the tool.** *Carrying power tools with your finger on the switch or energising power tools that have the switch on invites accidents.*
- d. **Remove any adjusting key or wrench before turning the power tool on.** *A wrench or a key left attached to a rotating part of the power tool may result in personal injury.*
- e. **Do not overreach. Keep proper footing and balance at all times.** *This enables better control of the power tool in unexpected situations.*
- f. **Dress properly. Do not wear loose clothing or jewellery. Keep your hair, clothing and gloves away from moving parts.** *Loose clothes, jewellery or long hair can be caught in moving parts.*
- g. **If devices are provided for the connection of dust extraction and collection facilities, ensure these are connected and properly used.** *Use of dust collection can reduce dust-related hazards.*

#### **4) POWER TOOL USE AND CARE**

- a. **Do not force the power tool. Use the correct power tool for your application.** *The correct power tool will do the job better and safer at the rate for which it was designed.*
- b. **Do not use the power tool if the switch does not turn it on and off.** *Any power tool that cannot be controlled with the switch is dangerous and must be repaired.*
- c. **Disconnect the plug from the power source and/or the battery pack from the power tool before making any adjustments, changing accessories, or storing power tools.** *Such preventive safety measures reduce the risk of starting the power tool accidentally.*
- d. **Store idle power tools out of the reach of children and do not allow persons unfamiliar with the power tool or these instructions to operate the power tool.** *Power tools are dangerous in the hands of untrained users.*
- e. **Maintain power tools. Check for misalignment or binding of moving parts, breakage of parts and any other condition that may affect the power tool's operation. If damaged, have the power tool repaired before use.** *Many accidents are caused by poorly maintained power tools.*

- f. **Keep cutting tools sharp and clean.** *Properly maintained cutting tools with sharp cutting edges are less likely to bind and are easier to control.*
- g. **Use the power tool, accessories and tool bits etc. in accordance with these instructions, taking into account the working conditions and the work to be performed.** *Use of the power tool for operations different from those intended could result in a hazardous situation.*

## 5) SERVICE

- a. **Have your power tool serviced by a qualified repair person using only identical replacement parts.** *This will ensure that the safety of the power tool is maintained.*

## SAFETY RULES FOR OSCILLATING SAWS & SANDERS



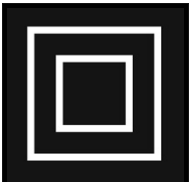

1. **Hold power tools by insulated gripping surfaces when performing an operation where the cutting tools may contact hidden wiring.** Contact with a "live" wire will make exposed metal parts of the tool "live" and shock the operator. Do not cut or break into existing walls or other blind areas where electrical wiring may exist. If this situation is unavoidable, disconnect all fuses or circuit breakers feeding this worksite.
2. **Use a metal detector to determine if there are gas or water pipes hidden in the work area or call the local utility company for assistance before beginning the operation.** Striking or cutting into a gas line will result in explosion. Water entering an electrical device may cause electrocution.
3. **Keep hands away from cutting area. Do not reach under the material being cut.** The proximity of the blade to your hand is hidden from your sight.
4. **Do not use dull or damaged blades.** Bent blades can break easily or cause kickback.
5. **Exercise caution when handling the accessories.** The accessories are very sharp.
6. **Wear protective gloves when changing cutting accessories.** Accessories become hot after prolonged usage.
7. **Limit the exposure time to vibration by taking frequent rest periods.** Vibration caused by the tool may be harmful to the hands and arms.
8. **Before scraping, check the workpiece for nails. If found, either remove them or set them well below intended finished surface.** Striking a nail with accessory edge could cause the tool to jump.
9. **Do not wet sand with this tool.** Water entering the motor housing is an electrical shock hazard.
10. **Never work in area which is wet or damp such as newly applied wallpaper.** There is an electrical shock hazard when working in such conditions with a power tool and heating of the water caused by scraping action may cause harmful vapours to be emitted from workpiece.

11. **Always wear eye protection and a dust mask for dusty applications and when sanding overhead.** Sanding particles can be absorbed by your eyes and inhaled easily and may cause health complications.
12. **Use special precautions when sanding chemically pressure treated lumber, lead-based paint, or any other material that may contain carcinogens.** A suitable breathing respirator and protective clothing must be worn by persons entering the work area. The work area should be sealed by plastic sheeting and persons not protected should be kept out until work area is thoroughly cleaned.
13. **Do not use sandpaper intended for larger sanding pads.** Larger sandpaper will extend beyond the sanding pad causing snagging, tearing of the paper or kick-back. Extra paper extending beyond the sanding pad can also cause cuts.
14. Please keep these instructions in a safe place for future reference.

---

## SAFETY SYMBOLS

---

|   |   |   |                    |
|---|---|---|--------------------|
|   | <p>Read instruction manual before use</p> |   | <p>CE Mark</p>     |
|  | <p>Class II Double Insulated</p>          |  | <p>Weee Symbol</p> |

# ELECTRICAL CONNECTIONS



**WARNING: READ THESE ELECTRICAL SAFETY INSTRUCTIONS FULLY BEFORE CONNECTING THE TOOL TO THE MAINS SUPPLY.**

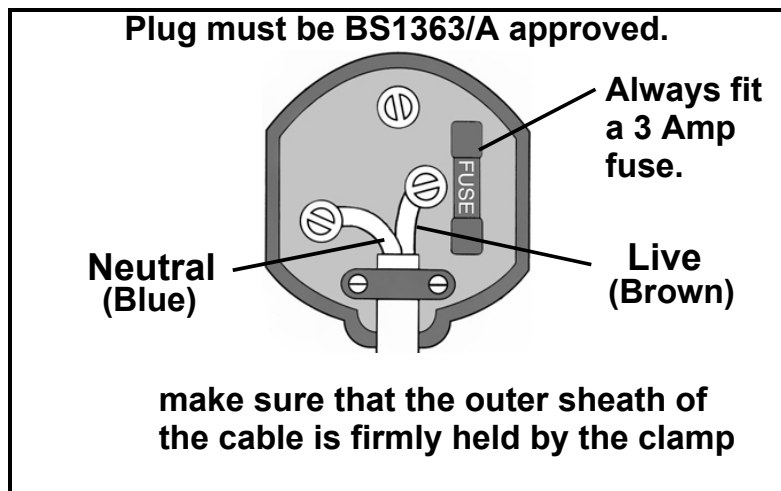
This tool is provided with a standard 13 amp, 230 volt (50Hz), BS 1363 plug, for connection to a standard, domestic electrical supply. Should the plug need changing, make sure that a plug of identical specification is used.



**WARNING: THE WIRES IN THE CABLE ARE COLOURED AS FOLLOWS:  
BLUE = NEUTRAL    BROWN = LIVE**

If the colours of the wires in the power cable do not correspond with the markings on the terminals of your plug, proceed as follows.

- Connect the **blue** wire to the terminal which is marked **N**.
- Connect the **brown** wire to the terminal which is marked **L**.



**AN APPROVED RESIDUAL CURRENT DEVICE (RCD) WHICH HAS A TRIPPING CURRENT OF LESS THAN 30mA MUST BE USED.**

If you are not sure, consult a qualified electrician. DO NOT try to do any repairs.



This symbol indicates that this is a Class II product, and does not require an earth connection.

# BEFORE USE

## FITTING THE ACCESSORIES



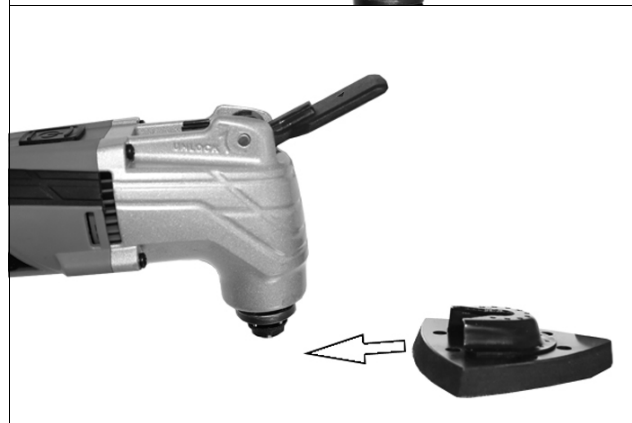
**WARNING: REMOVE THE PLUG FROM THE POWER SUPPLY BEFORE FITTING OR REMOVING THE ACCESSORIES.**

1. Move the quick release handle all the way over to release the attachment clamp.



2. Fit your chosen accessory onto the drive spindle.

- Make sure that the locating pins engage with the corresponding holes in the accessory and that the accessory lays flat on the spindle.



3. Move the quick release handle all the way back to lock the accessory in position.

- If the accessory is still loose, the retaining disc can be tightened using a large flat screwdriver.
- Do not overtighten.

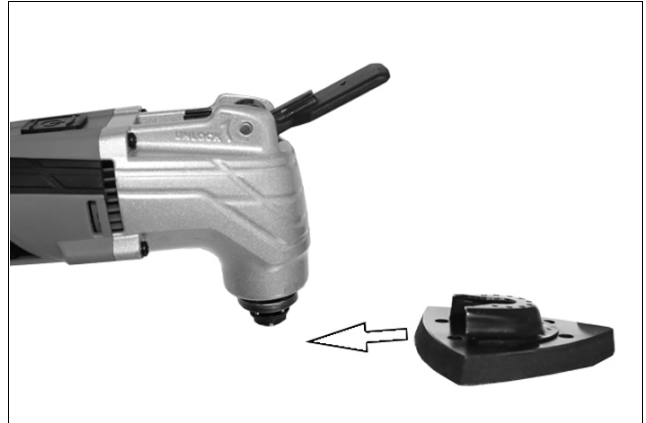




## HOW TO ATTACH A SANDING SHEET

The sanding pad has a hook and loop material to which the sanding sheets are attached.

1. Attach the sanding pad to the tool.



2. Fit the sanding sheet to the sanding pad.

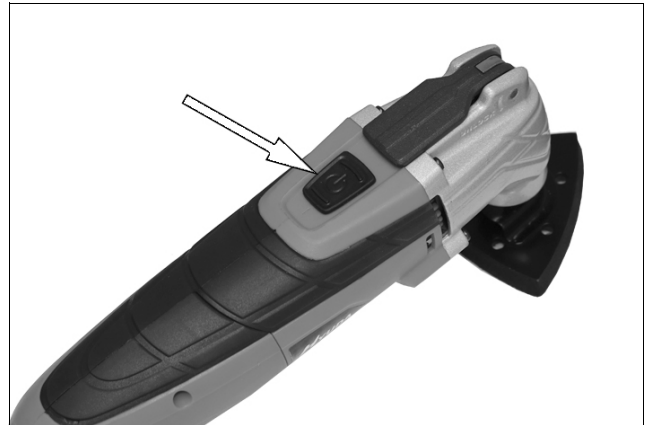
- Make sure that the holes in the sanding sheet align with the holes in the sanding pad.

3. To remove the sanding sheet, hold it at one of the points and pull it from the sanding pad.



## OPERATION

1. Hold the tool tightly and move the On/Off switch forward.
  - The multi tool will operate continuously.
2. Slowly apply the tool to the work piece.
  - Apply light pressure as you move it across the work.



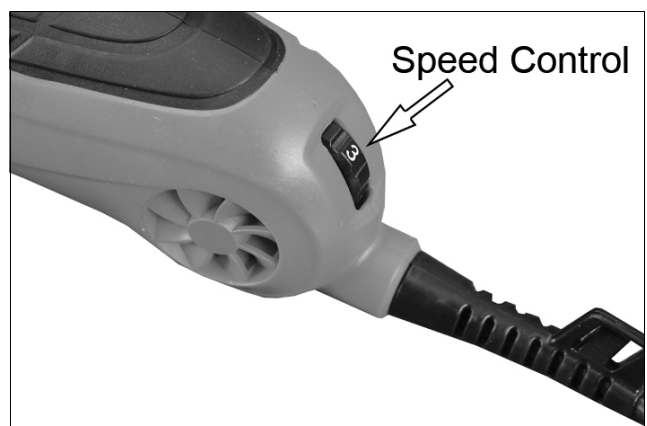
**WARNING: MAKE SURE THAT THE POSITION USED DOES NOT CAUSE FATIGUE WHICH CAN CAUSE LOSS OF CONTROL.**

3. Move the switch to the rear to stop the multi tool.



## SPEED CONTROL

Use the speed control to select the speed (1-6) required.



## USING THE SANDING ATTACHMENT



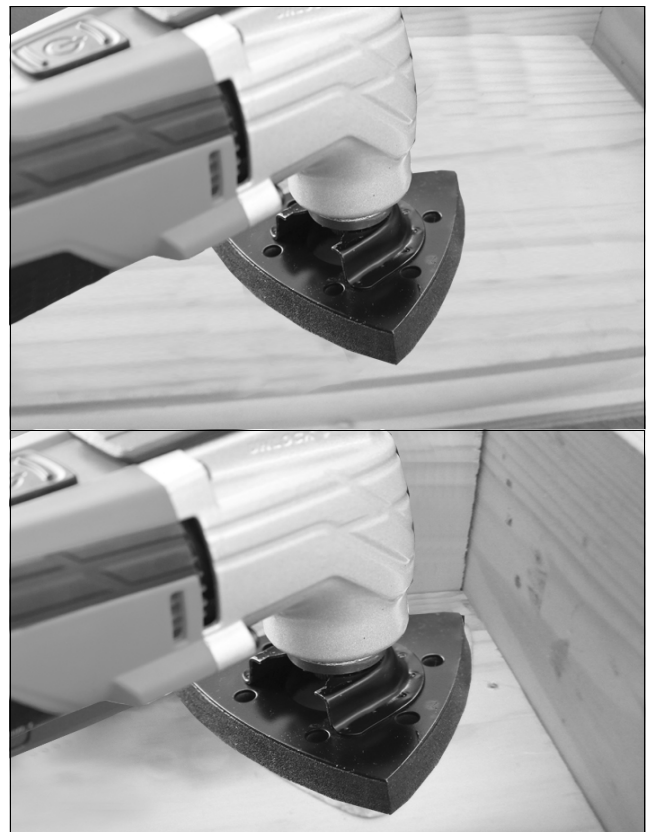
**WARNING: ALWAYS WEAR EYE PROTECTION AND A DUST MASK.**

### SELECT THE CORRECT SANDING SHEET

The 'grit' of the sanding sheet is identified by a number on the rear of the sheet. The lower numbers are more abrasive. (use lower grit for rough wood and higher grit for finishing)

### SANDING

1. Hold the tool tightly and move the On/Off switch forward.
2. Put the tool on the workpiece.
3. Let the tool do the work and do not apply excessive pressure to the sanding pad.
  - Applying excessive pressure will cause the sanding sheets to wear out faster and can damage the motor.
4. If sanding into corners, use the tip or corner of the sanding pad.
  - When sanding, the sanding sheet can heat up, you must let the sanding sheet cool down regularly.



## USING THE SCRAPER

The scraper is used to remove residues (paint, sealant, adhesives), and vinyl/fabrics from a workpiece.

1. Fit the scraper as shown on page 8. Hold the tool tightly and move the On/Off switch forward.
2. Put the tool against the workpiece, at a low angle and apply light pressure to the scraper blade.
  - Let the tool to do the work and do not apply excessive pressure, which can cut into the surface and overload the tool.



**NOTE:** The scraping blade is designed for scraping soft materials from flat surfaces.

**NOTE:** The scraper blade is sharp and can dig into the surface of soft materials such as timber in the same way as a chisel.

## USING THE SAW ATTACHMENT

The saw attachment is used to cut materials such as wood, plastics and sheet metal such as aluminium.



CAUTION: CLAMP THE WORKPIECE SECURELY IF POSSIBLE BEFORE STARTING WORK.

CAUTION: ALWAYS CHECK THAT THERE ARE NO NAILS OR SCREWS IN THE WORKPIECE BEFORE CUTTING.

**NOTE:** Ensure the blade is sharp and not damaged before starting work.

### SAWING WITH THE STRAIGHT BLADE

1. Fit the scraper as shown on page 8. Hold the tool tightly and move the On/Off switch forward.
2. If making a plunge cut use a slight pendulum motion to allow chip/debris removal.

**NOTE:** Plunge cuts should only be attempted on soft materials such as softwood and plaster boards.



---

# MAINTENANCE

---

Remove the plug from the power supply before you carry out any cleaning or maintenance.

## CLEANING

1. Make sure that any ventilation slots are clear.
2. Clean the outside of the tool with a soft cleaning cloth.
3. Do not use any chemicals, harsh abrasives, or solvents when cleaning plastic parts.

## GENERAL MAINTENANCE

- All bearings are sufficiently lubricated for the life of the tool.
- Speak to your Clarke supplier if internal maintenance is necessary.

## SPECIFICATIONS

|                               |                                       |
|-------------------------------|---------------------------------------|
| <b>Model Number</b>           | <b>CMFT300QR</b>                      |
| Strokes/minute                | 15000 - 21000                         |
| Length of Stroke              | 3.8mm                                 |
| Orbit angle                   | 3°                                    |
| Product weight                | 1.5 kg                                |
| Dimensions (D x W x H)        | 280 x 65.5 x 102mm                    |
| Operating voltage & frequency | 230 V~ 50 Hz                          |
| Electrical insulation class   | Class II                              |
| Fuse rating                   | 5 amps                                |
| Rated input power             | 300W                                  |
| Vibration (sanding)           | 2.941m/s <sup>2</sup>                 |
| Sound pressure level          | 80 dB LpA                             |
| Sound power                   | 91 dB LWA                             |
| <b>Accessories</b>            |                                       |
| <b>Sanding pad</b>            |                                       |
| Backing pad type              | Delta, Hook & Loop System             |
| Dimensions                    | Triangular: 89 x 89 x 89mm            |
| <b>Scraper blade</b>          |                                       |
| Dimensions                    | Steel: 71 (total) x 50 (edge) x 0.9mm |
| <b>Plunge blade</b>           |                                       |
| Dimensions                    | Steel: 92 x 32 x 0.6mm                |
| Number of teeth               | 21                                    |
| <b>Sanding Sheets</b>         |                                       |
| Type                          | Aluminium Oxide, Hook & Loop System   |
| Dimensions                    | Delta: 94 x 94 x 94mm                 |
| Qty/Grades                    | 3 x 60, 3 x 120, 3 x 240              |

# DECLARATION OF CONFORMITY



Hemnal Street, Epping, Essex CM16 4LG

## DECLARATION OF CONFORMITY

This is an important document and should be retained.

We hereby declare that this product(s) complies with the following statutory requirement(s):

- Electromagnetic Compatibility Regulations 2016
- Supply of Machinery (Safety) Regulations 2008
- The Restriction of the Use of Certain Hazardous Substances in Electrical and Electronic Equipment Regulations 2012

The following standards have been applied to the product(s):

- EN 55014-1:2017+A11, EN 55014-2:2015, EN IEC 61000-3-2:2019, EN IEC 61000-3-3:2013+A1,
- EN ISO 12100:2010, EN 62841-1:2015, EN 62841-2-4:2014, IEC 62321-3-1:2013,
- IEC 62321-7-1:2015, IEC 62321-6:2015, IEC 62321-7-2:2017, EN ISO 17075-1:2017,
- IEC 62321-4:2013+AMD1:2017, IEC 62321-5:2013, IEC 62321-8:2017.

The technical documentation required to demonstrate that the product(s) meet(s) the requirement(s) of the aforementioned legislation has been compiled and is available for inspection by the relevant enforcement authorities.

The UKCA mark was first applied in: 2023

Product Description: Multi-Function Tool with Quick Release & Accessory Kit  
Model number(s): CMFT300QR  
Serial / batch Number: N/A  
Date of Issue: 04/01/2023

Signed:

J.A. Clarke  
Director



Fitzwilliam Hall, Fitzwilliam Place, Dublin 2

## DECLARATION OF CONFORMITY

This is an important document and should be retained.

We hereby declare that this product(s) complies with the following directive(s):

- 2014/30/EU Electromagnetic Compatibility Directive
- 2006/42/EC Machinery Directive
- 2011/65/EU Restriction of the Use of Certain Hazardous Substances in Electrical & Electronic Equipment (RoHS) Directive

The following standards have been applied to the product(s):

- EN 55014-1:2017+A11, EN 55014-2:2015, EN IEC 61000-3-2:2019, EN IEC 61000-3-3:2013+A1,
- EN ISO 12100:2010, EN 62841-1:2015, EN 62841-2-4:2014, IEC 62321-3-1:2013,
- IEC 62321-7-1:2015, IEC 62321-6:2015, IEC 62321-7-2:2017, EN ISO 17075-1:2017,
- IEC 62321-4:2013+AMD1:2017, IEC 62321-5:2013, IEC 62321-8:2017.

The technical documentation required to demonstrate that the product(s) meet(s) the requirement(s) of the aforementioned directive(s) has been compiled and is available for inspection by the relevant enforcement authorities.

The CE mark was first applied in: 2017

Product Description: Multi-Function Tool with Quick Release & Accessory Kit  
Model number(s): CMFT300QR  
Serial / batch Number: N/A  
Date of Issue: 04/01/2023

Signed:

J.A. Clarke  
Director

# A SELECTION FROM THE VAST RANGE OF

# Clarke®

## QUALITY PRODUCTS



**AIR COMPRESSORS**  
From DIY to industrial, Plus air tools, spray guns and accessories.

**GENERATORS**  
Prime duty or emergency standby for business, home and leisure.

**POWER WASHERS**  
Hot and cold, electric and engine driven - we have what you need

**WELDERS**  
Mig, Arc, Tig and Spot.  
From DIY to auto/industrial.

**METALWORKING**  
Drills, grinders and saws for DIY and professional use.

**WOODWORKING**  
Saws, sanders, lathes, mortisers and dust extraction.

**HYDRAULICS**  
Cranes, body repair kits, transmission jacks for all types of workshop use.

**WATER PUMPS**  
Submersible, electric and engine driven for DIY, agriculture and industry.

**POWERTOOLS**  
Angle grinders, cordless drill sets, saws and sanders.

**STARTERS/CHARGERS**  
All sizes for car and commercial use.



## PARTS & SERVICE: 0208 988 7400

**Parts Enquiries**  
[Parts@clarkeinternational.com](mailto:Parts@clarkeinternational.com)

**Servicing & Technical Enquiries**  
[Service@clarkeinternational.com](mailto:Service@clarkeinternational.com)

SALES: UK 01992 565333 or Export 00 44 (0)1992 565335

**Clarke® INTERNATIONAL** Hemnall Street, Epping, Essex CM16 4LG  
[www.clarkeinternational.com](http://www.clarkeinternational.com)